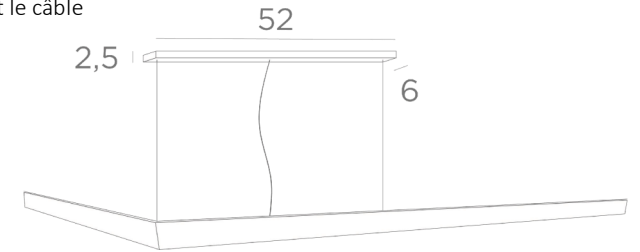


FR MONTAGE *de la suspension LUNGA #*

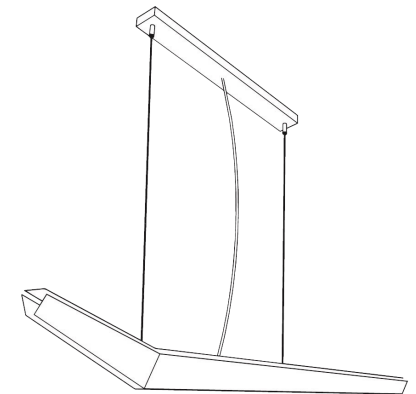
- 1 Au départ il est préférable de ne pas déballer la suspension
- 2 Commencez par fixer au plafond la patère de fixation qui se trouve dans la base-plafond. Il est nécessaire de fixer 8 vis et chevilles.
- 3 Introduisez les 3 câbles qui ressortent de la suspension au travers de la base-plafond.
- 4 Insérez les deux câbles en acier dans les serres-câbles placés sur la patère de fixation.
- 5 Raccordez le fil de terre à la connexion prévue sur la patère. Raccordez votre arrivée de courant au primaire du convertisseur et le câble électrique de la suspension au secondaire.
- 6 Ajustez la hauteur de la suspension. Coupez le surplus des câbles en acier.
- 7 Remontez la base-plafond et fixez-la sur la patère de fixation à l'aide des vis latérales.
- 8 Déballer la suspension.

**NL MONTAGE** *van de hanglamp LUNGA #*

- 1 Het is beter om de hanglamp niet onmiddellijk uit te pakken.
- 2 Begin met het bevestigen van de fixatieplaat, die in de plafondbasis zit, aan het plafond. Hiervoor zijn 8 schroeven en pluggen nodig.
- 3 Steek de 3 kabels die uit de hanglamp komen door de plafondbasis.
- 4 Steek de twee stalen kabels in de kabelklemmen op de fixatieplaat.
- 5 Verbind de aardingsdraad met de voorziene bevestiging op de fixatieplaat. Sluit de stroomtoegang aan op de "primary" van de driver en de stroomkabel van de hanglamp op de "secondary".
- 6 Stel de hoogte van de hanglamp in en knip de overtollige staalkabels door.
- 7 Breng de plafondbasis weer naar boven en bevestig hem aan de fixatieplaat met de schroeven aan de zijkant.
- 8 Haal de hanglamp uit de verpakking.

EN MOUNTING *of the suspension LUNGA #*

- 1 It is recommended not to unpack the suspension immediately.
- 2 Attach the ceiling plate which is in the ceiling base, to the ceiling. This requires 8 screws and plugs.
- 3 Put the 3 cables coming out of the suspension through the ceiling base.
- 4 Attach the two steel cables to the cable clips on the ceiling plate.
- 5 Connect the earth wire to the provided attachment on the ceiling plate. Connect the power supply to the "primary" of the driver and the power cable of the suspension to the "secondary".
- 6 Adjust the height of the suspension and cut the excess steel wires.
- 7 Bring the ceiling base up again and attach it to the ceiling plate with the screws at the side.
- 8 Take the suspension out of the packaging.

**DE MONTAGE** *der Pendelleuchte LUNGA #*

- 1 Es ist besser, die Pendelleuchte nicht sofort auszupacken.
- 2 Befestigen Sie die Montageplatte, die sich im Deckenbasis befindet, an der Decke. Dazu sind 8 Schrauben und Dübel erforderlich.
- 3 Führen Sie die 3 Kabel, die aus der Pendelleuchte kommen, durch den Deckenbasis.
- 4 Befestigen Sie die beiden Stahlseile in den Kabelklemmen an der Montageplatte.
- 5 Schließen Sie das Erdungskabel an die vorgesehene Befestigung auf der Montageplatte an. Schließen Sie die Stromversorgung an die "Primary" des Konverters und das Stromkabel der Pendelleuchte an die "Secondary" an
- 6 Stellen Sie die Höhe der Pendelleuchte ein und schneiden Sie die überschüssigen Stahlseile ab.
- 7 Bringen Sie den Deckenbasis wieder nach oben und befestigen Sie ihn mit den seitlichen Schrauben an der Montageplatte.
- 8 Nehmen Sie die Pendelleuchte aus der Verpackung.

LUNGA #



Manufacturer : DAVIDTS LIGHTING – Brussels – Belgium – www.davidts.com

Installation and security instructions (please read and save)

This luminaire is manufactured according to European directives and standards relating to quality and safety of lighting fixtures. A declaration of conformity is available by downloading on our site.

Description of the lighting

Lighting for fixing to the wall or ceiling. More pictures, drawings and complete descriptions are available on our website.

Environmental protection

Our packaging is made from 100% recyclable or re-usable material. For care of the environment please sort or recycle. Fluorescent bulbs and waste electrical equipment should not be disposed of with household waste please take to a recycling facility. This fixture is essentially composed of solid brass. This metal and other elements are fully recyclable. At end of life, if you take the fixture to a recycling facility, each metal will be recovered for new metal production.

Installation of the lighting

This lighting is only intended for indoor use, it must be installed away from moisture, splashing and sources of heat. Suitable for direct mounting on normally flammable surfaces. Before starting the installation, ensure the electrical supply is OFF at the circuit breaker in the consumer unit. Only switching OFF at the wall switch is not adequate. Carefully remove all packaging. All of our fixtures are fixed to the wall or to the ceiling by means of a mounting plate (placement is done by means of screws and dowels, not supplied). Some of our luminaires have more detailed installation instructions (attached to this document). Please read carefully before starting the installation. If you have any doubt about the installation of this lighting, please contact a qualified electrician.

Inserting or replacing a bulb

Always ensure the electrical supply is OFF before this operation. If necessary, let the old bulb to cool for 10 minutes before removing. Place the bulb without forcing into the fitting. Do not directly touch it with the fingers, but with a cloth (fingerprints reduce the lifetime of a bulb). Be always attentive to the choice of a bulb, never exceed the maximum power (W) authorized, indicated on the labels of the light fitting. If an integral LED bulb attached to the fixture is defective, please contact your distributor.

Maintenance of your lighting

Because smoke and dust particles in the air are attracted by a heat source, a deposit will appear on the fixture in the course of time. For maintenance, allow the bulb to cool for at least 10 minutes. Clean the fixture with a paper towel soaked with glass cleaner. Never use solvents, abrasive or corrosive products. Never immerse the fixture in water. If the wires are damaged, they must be replaced by a qualified electrician. This fixture must never be modified as this can make it dangerous to use.