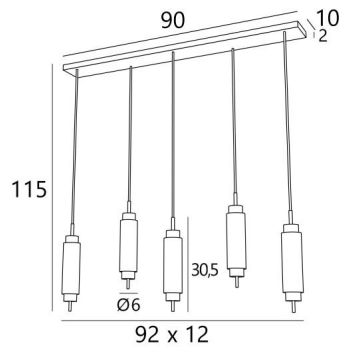




TOKYO 5



TOKYO 5 # in light bronze. Metal finish code: 28



TOKYO 5 # is a set of five **TOKYO** suspensions placed on a rectangular base with attractive black textile cables. Each luminaire is made entirely of brass and consists of two luminous parts, a spotlight at the bottom that projects a lot of light and a more discreet atmosphere at the top

TOKYO is a superb product, of very high quality and available in exceptional finishes. And if you install **TOKYO**, don't blame your friends if they look up when they come home - all their eyes will be on your pendant light

OVERALL SIZES

L92 x 12cm H115cm

BASE : 90 x 10 x 2cm

TECHNICAL DATA

Five **TOKYO** pendant lights, each comprising:

- a GU10 bulb and a G9 bulb with variable intensities integrated in each suspension
- a black textile cable with cable grip

A fixing plate for the ceiling base ([plan in PDF](#))

OPTIONS

Linear ceiling bases, multiples of 2 to 5 outlets ([see CEILING BASES elongated](#))

Cables in other sizes or colours

AVAILABLE METAL FINISHES AND CODES



25 - Brushed brass - 4625 025



28 - Light bronze - 4625 028



29 - Brushed bronze - 4625 029

