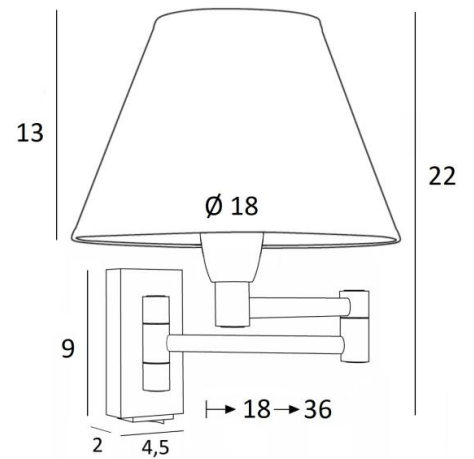




MAMMISI +SW o



MAMMISI in brushed chrome with lampshade in Esmaria Avoine (fabric from category 3)



MAMMISI is a classic and very decorative wall light can easily be placed in any interior. Practical with its double articulated arm. Small and discreet, it can be placed on the uprights of a bookcase or as a small bed light. With its conical lampshade, **MAMMISI** is often used as a reading light and for this lampshade, which will filter the light of the bulb while creating a nice warm atmosphere, we propose a large choice of colours and fabrics. This model exists without switch, see **MAMMISI -SW o**

OVERALL SIZES

H22cm L18cm |→18-36cm

BASE : 4,5 x 9 x 2cm

TECHNICAL DATA

One E14 fitting with ring. Dimmable wall light

Double arm, 180° adjustable

A rocker switch at the bottom of the box

A fixing plate for the wall box ([plan in PDF](#))

AVAILABLE METAL FINISHES AND CODES



20 - Polish brass - 1131 020



25 - Brushed brass - 1131 025



28 - Light bronze - 1131 028



29 - Brushed bronze - 1131 029



31 - Polished chrome - 1131 031



32 - Brushed chrome - 1131 032

LAMPSHADE : SIZES & CODE

Ø9 - 18 - 13cm

Code: 1130 + fabric code

We propose more than 180 fabrics/materials/colors for lampshades

