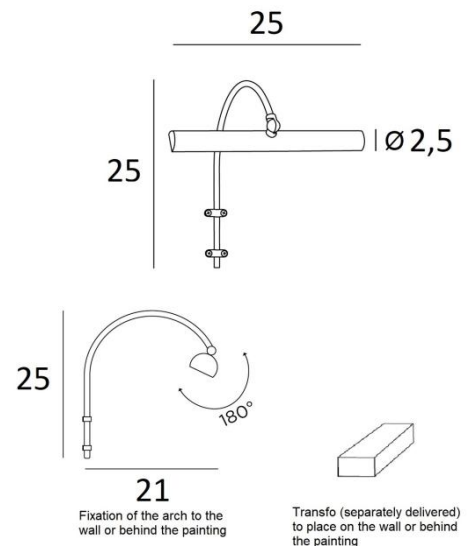




TRIANON 25



TRIANON 25 in brushed nickel. Metal finish code: 33



TRIANON 25 is a 25cm length of picture light

Robust, elegant and discreet picture light with a rounded arch that perfectly surrounds the picture frame. The reflector is 180° rotatable. The transformer and wall attachments will be hidden at the back of the picture. This wall light is powered by two warm, powerful and anti-UV LED bulbs. They are supplied with the fixture. The transformer and wall attachments will be hidden at the back of the picture.

This luminaire is made of solid brass and the finishes offered are of a very high quality.

This picture light is available in three other lengths.

OVERALL SIZES

H25cm L25cm |→21cm

TECHNICAL DATA

Two G4 fittings

Painting light delivered with two LED bulbs:

consumption 2x2,5W brightness 2x320lm colour temperature 2700°K

Anti UV and not dimmable bulbs

One transformer: 12-230V 50-60HZ 3-60W

The transformer is supplied separately and should be placed at the back of the picture.

The reflector is adjustable through 180°.

Reflector dimensions: L25cm Ø2,5cm H1,9cm

The tube is to be fixed on the wall or on the picture.

Two wall attachments for fixing the tube.

AVAILABLE METAL FINISHES AND CODES



25 - Brushed brass - 1882 025



29 - Brushed bronze - 1882 029



33 - Brushed nickel - 1882 033

