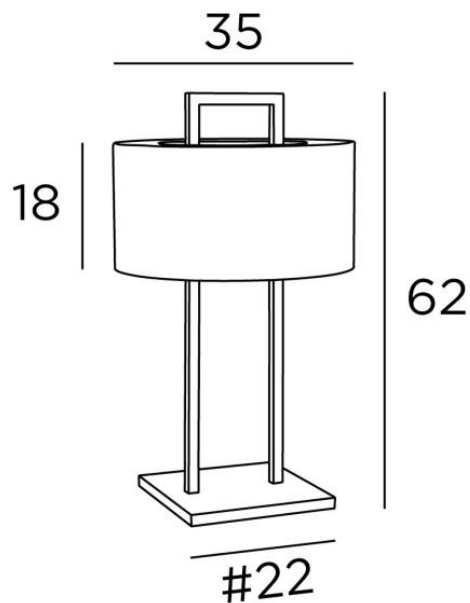




SATIS



SATIS in brushed bronze with cylindrical lampshade Seta Framboise (fabric from category 3)



**SATIS** is a table light with a cylindrical lampshade that is partially closed at the top. The lampshade seems to be suspended around a brass arch. This surprising design is the originality of this prestigious lamp.

With the added bonus of careful manufacturing, which is the object of all the attention of our craftsmen. This luminaire is certainly a must-have in the Lighting Collection.

To better integrate this beautiful lamp into your interior, you can use many materials and colors to make a lampshade with a warm look. Two wall lamps and a floor light are associated with this luminaire, see [KARANIS 1](#), [KARANIS 2](#) and [SATIS FLOOR](#).

#### OVERALL SIZES

H62cm Ø35cm

**BASE :** #22 x 1,7cm

#### TECHNICAL DATA

E27 fitting with ring. Switch on the cable.

Lampshade covered by a ring of the same fabric for not to see the bulb.

#### AVAILABLE METAL FINISHES AND CODES



28 - Light bronze - 2271 028



29 - Brushed bronze - 2271 029



33 - Brushed nickel - 2271 033

#### LAMPSHADE : SIZES & CODE

Ø35 - 35 - 18cm + ring Ø22cm

Code: 2271 + fabric code

We propose more than 180 fabrics/materials/colors for lampshades



LIGHTING COLLECTION